



straub 
the right connection

INFORMATION
FOR FITTING
LARGE STRAUB
PIPE COUPLINGS

RELIABILITY WHEN FITTING **LARGE STRAUB- FLEX / OPEN-FLEX PIPE COUPLINGS**

STRAUB offers a full range of technical support to ensure your STRAUB couplings are installed efficiently on site. Above all, for pipe dimensions of an outside diameter of 1'000 mm or more and 2-part STRAUB-FLEX/ OPEN-FLEX pipe couplings, we recommend that one of our engineers is on site to support you.

With the experience of our application engineers, we can offer safe and expert fitting, throughout the world.

**Profit from
the experience
of our specialists**

SITE INSTRUCTIONS

Movement and positioning of the pipes is undertaken by the pipe supplier or the responsible fitting group.

A STRAUB specialist supports your team in the preparation of the pipes to be installed. Afterwards, the fitters are briefed and supported by our specialists for fitting a pipe coupling.

Subsequent STRAUB pipe couplings are fitted independently by the site team.

FITTING LARGE PIPE COUPLINGS

We would be pleased to undertake the fitting of large STRAUB-FLEX and STRAUB-OPEN-FLEX pipe couplings.

After moving and positioning the pipes by the pipe supplier, a specialised STRAUB fitting team will fit the pipe couplings.

APPLYING CORROSION PROTECTION

Depending on the coupling type and soil conditions, we recommend additional corrosion protection. Our check-list supports you to classify the corrosivity (see STRAUB Technical Manual).

The application of corrosion protection can be undertaken by the STRAUB specialists or the customer. In Germany, a GW15 certification is required.



We develop
the optimum
solution together

INSTALLATION-AIDS

We are pleased to offer you a choice of fitting aids, corrosion protection material and various accessories. This includes tensioning straps, grease and lubricants, long catch bolts and torque wrenches, for example. Detailed information in this respect can be found in our "STRAUB accessories" flyer and our fitting instructions.

If a crane is required for fitting, this must be provided by the customer.

OUR OFFER

At your request, STRAUB can offer for your project our specialists based on time and materials. This includes:

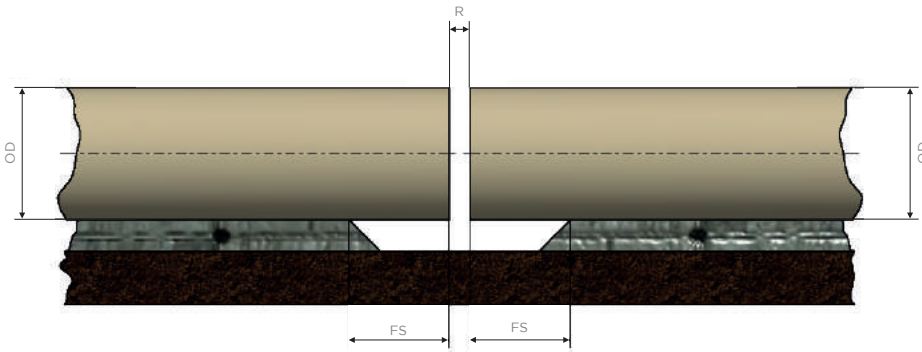
- materials
- briefing and fitting costs
- inspection work
- accommodation and travel costs



PRE-REQUISITES FOR SUCCESSFUL FITTING

Our application engineers require a certain amount of space around the connection site for fitting STRAUB

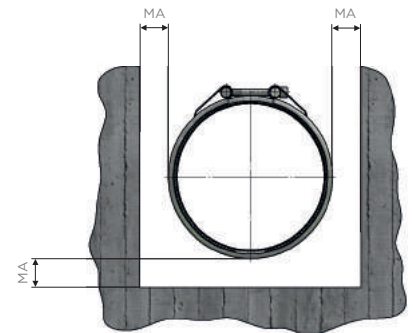
pipe couplings. The local requirements should also be adhered to, to ensure safe working conditions.



R: Distance between pipe ends in accordance with the STRAUB technical manual

Clearance [FS]	1-piece pipe couplings	2-piece pipe couplings
STRAUB-FLEX / STRAUB-OPEN-FLEX 2	ca. 30cm	ca. 15cm
STRAUB-FLEX / STRAUB-OPEN-FLEX 3	ca. 44cm	ca. 22cm
STRAUB-FLEX / STRAUB-OPEN-FLEX 3.5	ca. 60cm	ca. 30cm
STRAUB-FLEX / STRAUB-OPEN-FLEX 4	ca. 88cm	ca. 44cm

Minimum spacing [MA]	1-piece pipe couplings	2-piece pipe couplings
STRAUB-FLEX STRAUB-OPEN-FLEX	ca. 25cm	ca. 50cm



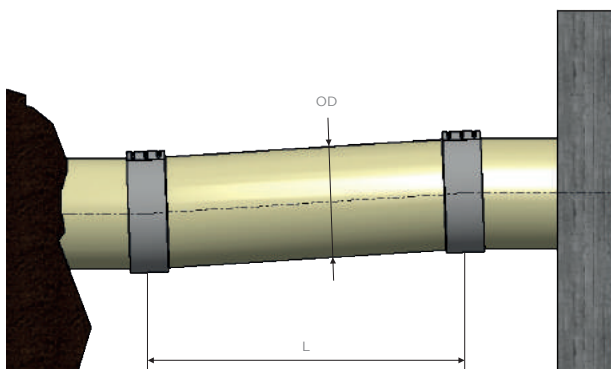
CARDAN SOLUTION

When connecting two pipes with a pipe fitting piece and two STRAUB pipe couplings, the pipe fitting piece should not be shorter than 1.5 to

2 times the outside diameter. As a result, the cardan solution can also compensate for angular deflection and misalignment due to ground

movement.

Uneven depressions in the building ground can also be compensated with the cardan solution.







- Manufacture, supply and fitting from a single source
- Quickly and expertly installed by experienced STRAUB technicians
- You do not have to worry about fitting accessories: we bring everything we need
- Guarantee of flawless fitting
- Your employees profit from our experience for subsequent projects

MV Fluid Handling

Marven House, 1 Field Road, Reading, RG1 6AP
Tel +44 (0)118 9503707 - Fax +44 (0)118 9504066
info@straub.co.uk
www.straub.co.uk

