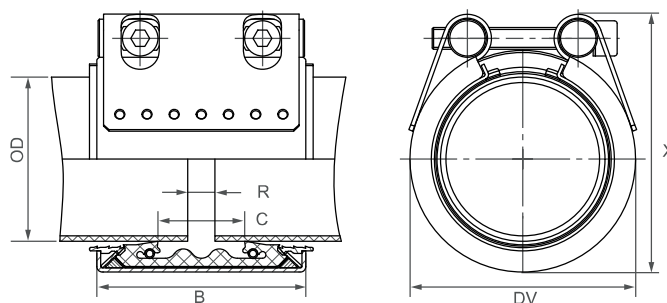


Components / Materials	W1	W2	W4	W5
Casing		AISI 316 L	AISI 316 L	AISI 316 L or similar
Bolts		AISI 4135	A4 - 80	A4 - 80
Bars		AISI 12L14, galvanised	AISI 304 / 316 L	AISI 316 L or similar
Anchoring rings		AISI A106, galvanised	AISI 304	AISI 301 / 304
Strip insert (option)		AISI 316 L or similar / PVDF	AISI 316 L or similar / PVDF	AISI 316 L or similar / PVDF
Sealing sleeve EPDM	Temp.: -20°C up to +100°C Medium: all qualities of water, waste water, air, solids and chemical products			
Sealing sleeve NBR	Temp.: -20°C up to +80°C Medium: water, gas, oil, fuel and other hydrocarbons			



OD [mm]	Clamping range [mm]	PN [bar]	B [mm]	C [mm]	DV [mm]	X [mm]	R without strip insert [mm]	R with strip insert [mm]	Torque rate [Nm]	Allen head [mm]	Thread M...
40.0	39.0 - 40.5	16.0	61	19	60	73	5	5 - 15	15	6	8
50.0	49.0 - 50.5	16.0	61	26	70	83	5	5 - 15	15	6	8
63.0	62.0 - 64.0	16.0	76	32	85	98	5 - 10	5 - 20	20	6	8
75.0	74.0 - 76.0	16.0	94	39	99	117	5 - 10	5 - 25	25	8	10
90.0	89.0 - 91.0	16.0	94	39	118	123	5 - 10	5 - 25	25	8	10
110.0	109.0 - 111.0	16.0	94	39	135	151	5 - 10	5 - 25	25	8	10
114.3	113.0 - 115.0	16.0	94	39	139	157	5 - 10	5 - 30	25	10	12
125.0	124.0 - 126.0	16.0	94	43	152	174	5 - 15	5 - 30	60	10	12
140.0	139.0 - 142.0	16.0	108	43	168	191	5 - 15	5 - 30	60	10	12
160.0	159.0 - 162.0	16.0/10.0 ¹	109	43	188	210	5 - 15	5 - 25	60	10	12
180.0	178.0 - 182.0	16.0	141	80	207	226	5 - 15	5 - 35	60	10	12
200.0	198.0 - 202.0	16.0	141	80	227	246	5 - 15	5 - 35	60	10	12
225.0	223.0 - 227.0	10.0	141	80	252	271	5 - 15	5 - 35	60	10	12
250.0	248.0 - 252.0	10.0	141	80	277	296	5 - 15	5 - 35	60	10	12
280.0	278.0 - 282.0	10.0	141	80	307	330	5 - 15	5 - 35	100	14	16
315.0	313.0 - 317.0	10.0	141	80	342	365	5 - 15	5 - 35	120	14	16
355.0	353.0 - 357.0	6.0	141	80	382	405	5 - 15	5 - 35	150	14	16

Remarks:

- Follow fitting instructions
- PN = working pressure considering the application loads
Test pressure = PN x 1.5 (for example industry, water supply etc.)
- For the installation of pipes of pipes made of HDPE and PP, STRAUB stiffening rings are required (see page 29)
- Strip inserts are optional accessories (see page 87)
- Additional sealing sleeves and temperature ranges on request

¹ 160.0/159.0 mm: version in W2 ⇒ PN 16 bar
version in W4 ⇒ PN 10 bar